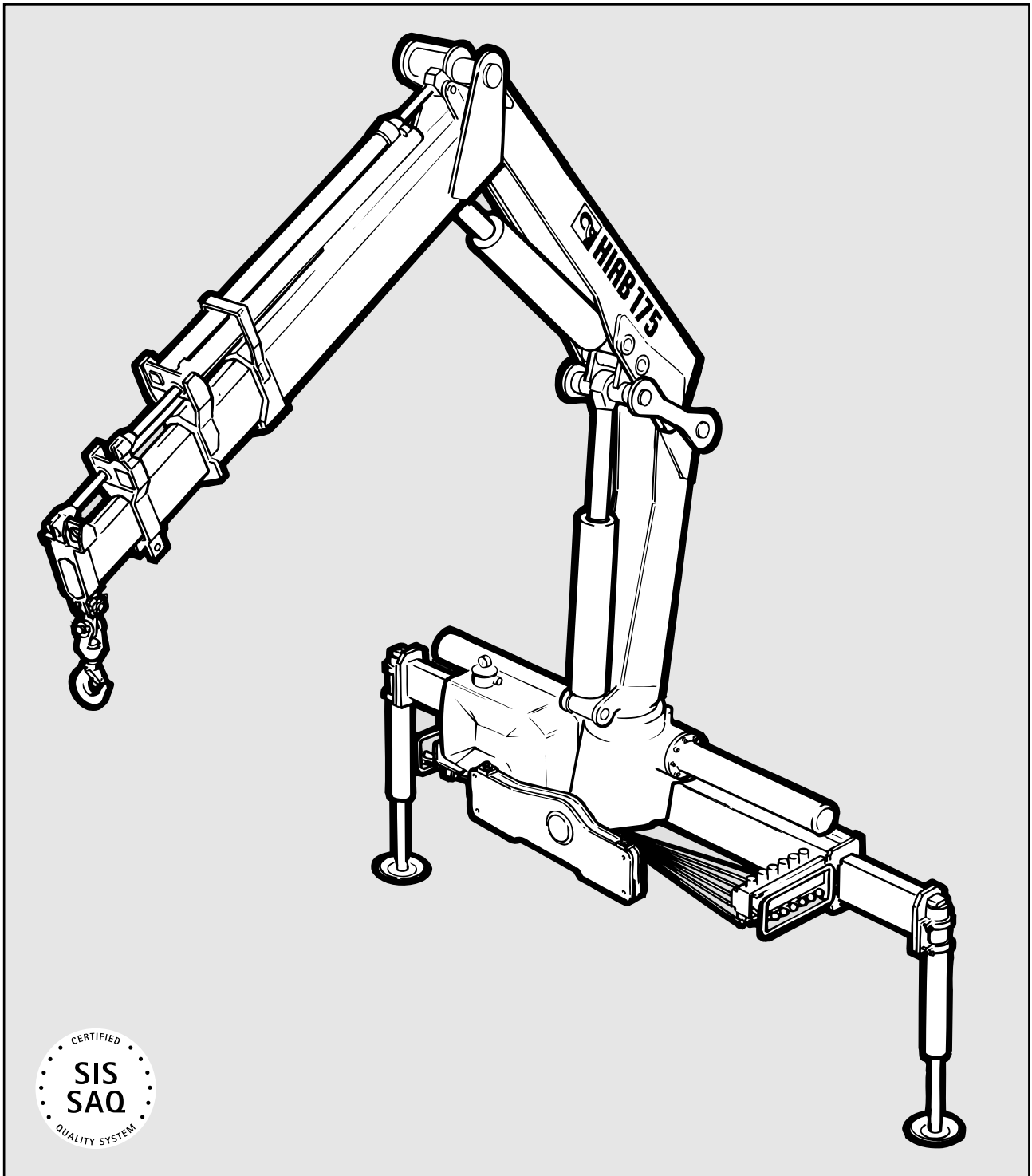
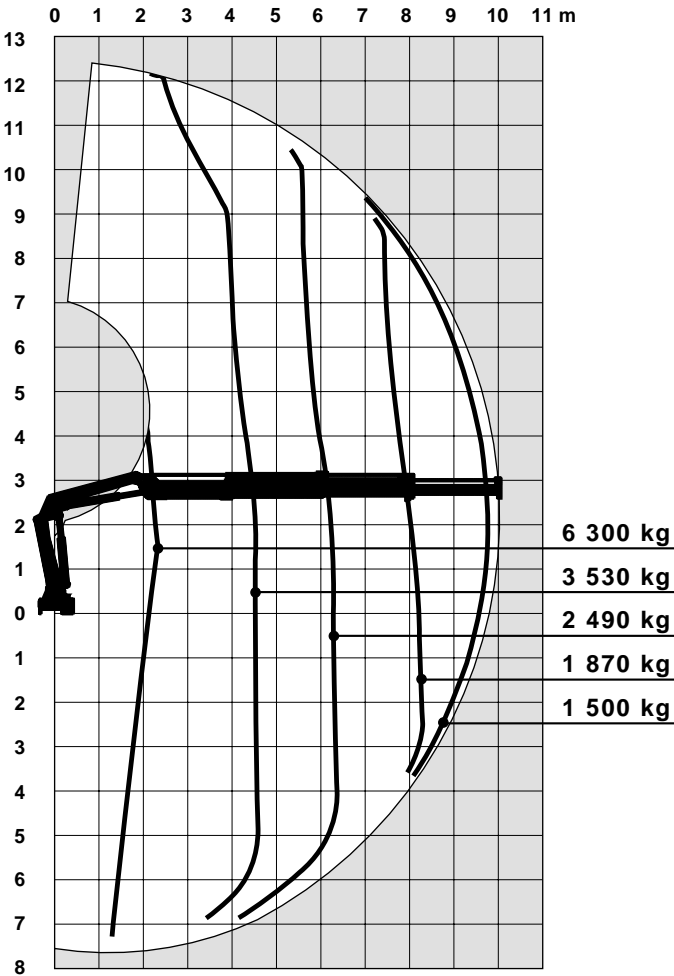


# HIAB 175

TECHNICAL DATA € TECHNISCHE DATEN  
FICHE TECHNIQUE • TECHNISCHE GEGEVENS  
DATI TECNICI





## LOAD DIAGRAM BELASTUNGSDIAGRAMM DIAGRAMME DE CHARGE LASTDIAGRAM CURVE DI CARICO

To the left of the curve the indicated loads can be handled with any loader function provided that the positions of the booms are optimized from a force point of view.

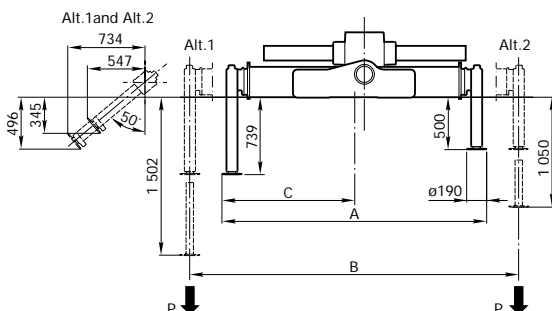
Links von der Kurve kann angegebene Last mit wahlfreier Funktion gehoben werden, vorausgesetzt dass Hub- und Wipparm in der Position sind in der diese die maximale Hubkraft besitzen.

A gauche de la courbe, la charge indiquée peut être manutentionnée avec n'importe quelle fonction de grue, à condition que la position des flèches soit optimisée.

De aangegeven belasting kan binnen het werkbereik met elke functie van de kraan worden geheven, indien elk van de giekdelen het max. giekmoment levert.

Alla sinistra della curva di carico la prestazione indicata è ottenibile con qualsiasi funzione gru, ottimizzando l'assetto di forza dei bracci.

Outrigger legs • Stütsbeine • Stabilisateurs Steunpoten • Sistema di stabilizzazione		A	B	C	P kN	Weight kg	
						Alt 1	Alt 2
	Manually extendable Manuell ausziehbar Extensibles manuellement Handuitschuifbaar Con estensione manuale	2 416	4 730	1 208	95.9	250	238
		2 416	5 430	1 208	82.9	300	288
	Manually extendable and tiltable Manuell ausziehbar und schwenkbar Extensibles manuellement et basculant Handuitschuifbaar en draaibaar Con estensione manuale e stabilizzatori orientabili	2 476	4 790	1 238	94.7	280	268
		2 476	5 490	1 238	81.6	330	318
	Hydraulically extendable Hydraulisch ausfahrbar Extension hydraulique Hydraulisch uitschuifbaar Con estensione idraulica	2 416	5 442	1 208	82.9	350	338
		Hydraulically extendable and manually tiltable Hydraulisch ausziehbar und manuell schwenkbar Extension hydraulique et manuellement basculant Hydraulisch uitschuifbaar en draaibaar Con estensione idraulica e stabilizzatori orientabili	2 476	5 502	1 238	81.5	380



### P

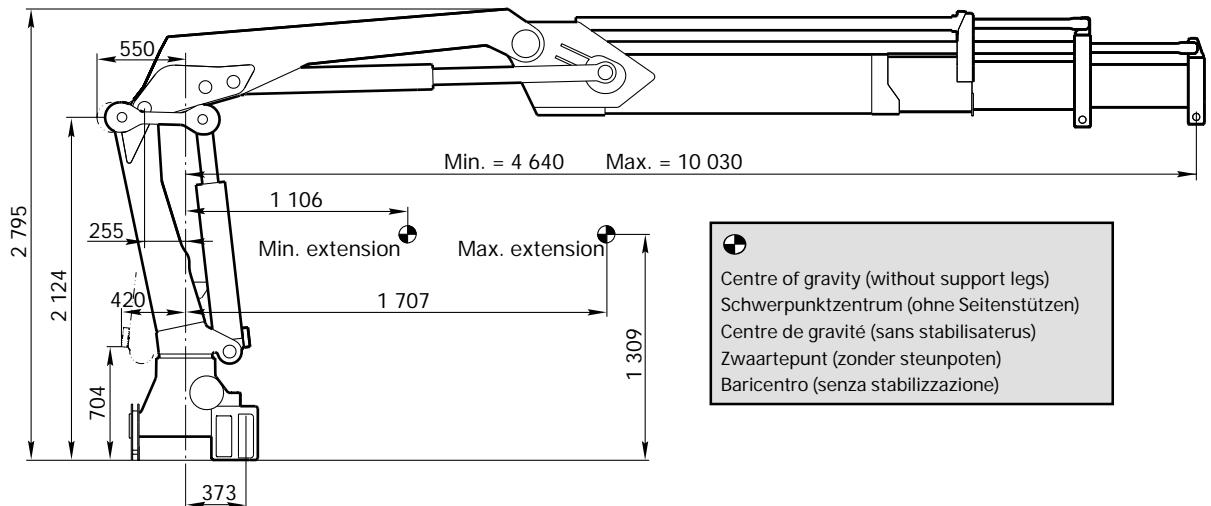
Support leg force due to payload incl. dynamic effect  
Outriggers max extended

Stützbeinkraft abhängig von der Last, einschließlich dynamischem Effekt bei max. Stützbeinhub

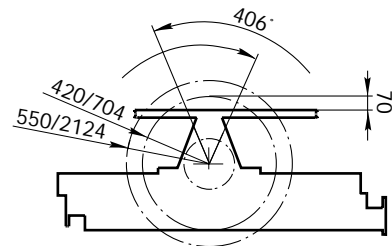
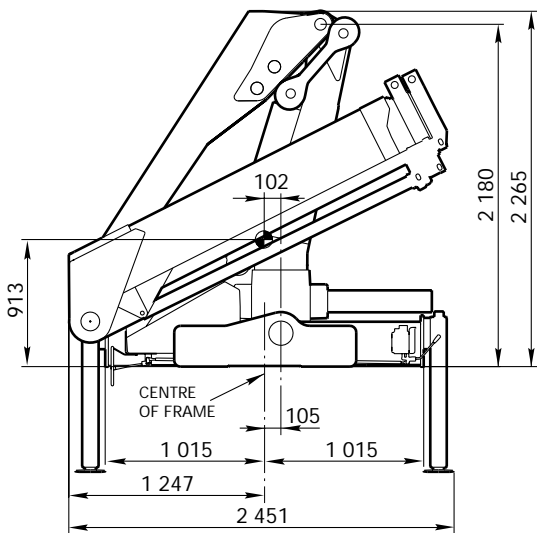
Effort aux vérins d'appui dû à la charge et aux effets dynamiques, à écartement maxi

Steunpootkracht t. g. v. de last, incl. dynamische effecten, bij volledig uitgeschoven steunpoten

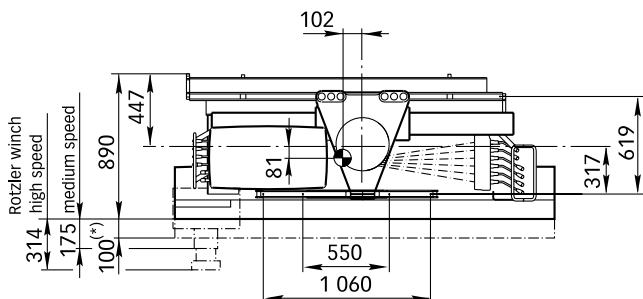
Reazione su stabilizzatore dovuta al carico e agli sforzi dinamici, con barre stabilizzatrici totalmente estratte



●  
 Centre of gravity (without support legs)  
 Schwerpunktzentrum (ohne Seitenstützen)  
 Centre de gravité (sans stabilisateurs)  
 Zwaartepunt (zonder steunpoten)  
 Baricentro (senza stabilizzazione)



**R**  
 Rotation space needed (*height*)  
 Schwenkradius (*höhe*)  
 Espace necessaire pour la rotation (*hauteur*)  
 Benodigde draairuimte (*hoogte*)  
 Ingombro in rotazione (*altezza*)



\*  
 Incl. hose and pipe kit  
 Inkl. Rohr und Schlauchsatz  
 Avec kit de tuyauteries  
 Met slang- en leidingset  
 Con attivazioni idrauliche

TECHNICAL DATA	HIAB 175-1	HIAB 175-2	HIAB 175-3	HIAB 175-4	HIAB 175-5
Lifting capacity, max	168 kNm (17.1 tm)	163 kNm (16.6 tm)	156 kNm (15.9 tm)	151 kNm (15.4 tm)	148 kNm (15.1 tm)
Hydraulic outreach, standard	6.2 m	8.0 m	10.0 m	12.1 m	14.1 m
Hydraulic boom extension	1.7 m	3.5 m	5.4 m	7.4 m	9.4 m
Extension cylinder pulling force	63.2 kN	63.2 kN	52.1 kN	52.1 kN	52.1 kN
Extension cylinder pushing force	53.8 kN	53.8 kN	43.6 kN	43.6 kN	43.6 kN
Outreach, manual extensions	-	14.2 m	16.3 m	18.5 m	18.4 m
Lifting height above installation level hydr./man.	8.6 / - m	10.4 / 16.6 m	12.4 / 18.7 m	14.5 / 20.9 m	16.5 / 20.7 m
Outreach - lifting capacity, standard <sup>(1)</sup>	2.3 m - 6 500 kg 4.5 m - 3 790 kg 6.1 m - 2 780 kg	2.3 m - 6 500 kg 4.5 m - 3 700 kg 6.2 m - 2 640 kg 7.8 m - 2 080 kg	2.3 m - 6 300 kg 4.5 m - 3 530 kg 6.2 m - 2 490 kg 8.0 m - 1 870 kg 9.8 m - 1 500 kg	2.3 m - 6 200 kg 4.5 m - 3 420 kg 6.2 m - 2 380 kg 8.0 m - 1 750 kg 9.9 m - 1 370 kg 11.8 m - 1 100 kg	2.3 m - 6 000 kg 4.5 m - 3 300 kg 6.2 m - 2 300 kg 8.0 m - 1 690 kg 9.9 m - 1 300 kg 11.8 m - 1 050 kg 13.8 m - 890 kg
Outreach - lifting capacity, manual extension <sup>(1)</sup>	-	9.7 m - 1 580 kg 11.7 m - 1 250 kg 13.8 m - 1 000 kg	11.7 m - 1 200 kg 13.8 m - 960 kg 15.9 m - 620 kg	13.8 m - 910 kg 15.9 m - 620 kg 18.1 m - 440 kg	15.8 m - 620 kg 18.0 m - 440 kg
Outreach with Jib hydraulic + 1 manual extension + 2 manual extensions	-	-	15.3 m 16.9 m 18.9 m	17.3 m 18.9 m 20.9 m	-
Outreach - lifting capacity, Jib and hydraulic extension <sup>(1)</sup>	-	-	12.3 m - 850 kg 15.1 m - 480 kg	14.3 m - 600 kg 16.8 m - 480 kg	-
Outreach - lifting capacity, Jib and manual extension <sup>(1)</sup>	-	-	16.7 m - 360 kg 18.7 m - 260 kg	18.4 m - 360 kg 20.4 m - 260 kg	-
Oil in tank	80 l	80 l	80 l	80 l	80 l
Tank capacity	90 l	90 l	90 l	90 l	90 l
Slewing angle	406°	406°	406°	406°	406°
Max slope viable at full capacity	6°	6°	6°	6°	6°
Slewing torque, gross	23 kNm	23 kNm	23 kNm	23 kNm	23 kNm
Slewing speed	15°/s	15°/s	15°/s	15°/s	15°/s
Lifting speed at standard hydraulic outreach and rec. oil flow	0.7 m/s	0.9 m/s	1.1 m/s	1.3 m/s	1.5 m/s
Hydraulic boom extension time out/in	8 / 6 s	16 / 12 s	25 / 19 s	34 / 28 s	44 / 36 s
Height in folded position	2 265 mm	2 265 mm	2 265 mm	2 265 mm	2 265 mm
Width in folded position	2 451 mm	2 451 mm	2 451 mm	2 487 mm	2 489 mm
Installation space needed <sup>(3)</sup>	890 / 990 <sup>(2)</sup> mm	890 / 990 <sup>(2)</sup> mm	890 / 990 <sup>(2)</sup> mm	890 / 990 <sup>(2)</sup> mm	890 / 990 <sup>(2)</sup> mm
<b>For calculation of Pump and PTO:</b>	<b>Valve 50 / Valve 91</b>	<b>Valve 50 / Valve 91</b>	<b>Valve 50 / Valve 91</b>	<b>Valve 50 / Valve 91</b>	<b>Valve 50 / Valve 91</b>
Rec. oil flow	50 / 70 - 90 l/min	50 / 70 - 90 l/min	50 / 70 - 90 l/min	50 / 70 - 90 l/min	50 / 70 - 90 l/min
Pump pressure needed	29.0 / 31.5 MPa	29.0 / 31.5 MPa	29.0 / 31.5 MPa	29.0 / 31.5 MPa	29.0 / 31.5 MPa
Working pressure of crane	28.5 / 29.5 MPa	28.5 / 29.5 MPa	28.5 / 29.5 MPa	28.5 / 29.5 MPa	28.5 / 29.5 MPa
Power needed at rec. oil flow	26 / 40 - 52 kW	26 / 40 - 52 kW	26 / 40 - 52 kW	26 / 40 - 52 kW	26 / 40 - 52 kW
<b>Weights:</b>					
Crane in standard version without support legs	1 930 kg	2 070 kg	2 220 kg	2 350 kg	2 460 kg
Jib 30	-	-	368 kg <sup>(2)</sup>	368 kg <sup>(2)</sup>	-
Top-seat	105 kg	105 kg	105 kg	105 kg	105 kg
Frame attachments	40 kg	40 kg	40 kg	40 kg	40 kg
Support leg equipment	238 - 380 kg	238 - 380 kg	238 - 380 kg	238 - 380 kg	238 - 380 kg
Tank incl. oil	95 kg	95 kg	95 kg	95 kg	95 kg

1) Lifting capacity at + 16-22° inner boom position  
Hubkapazität bei + 16-22° Hubraumposition  
Capacité de levage avec un angle de flèche de + 16-22°  
Hefcapaciteit bij een hefarmhoek van + 16-22°  
Prestazione con braccio principale da + 16-22°

2) Incl. hose and pipe kit  
Inkl. Rohr und Schlauchsatz  
Avec kit de tuyauteries  
Met slang- en leidingset  
Con attivazioni idrauliche

3) Rotation space needed - see general dimensions  
Schwenkenradius - siehe Massskizze  
Espace necessaire pour la rotation - voyez croquis cote  
Benodigde draairuimte - zie hoofdafmetingen  
Ingombro in rotazione - vedi dimensioni